



ACCESS CONTROL SENSOR REQUIRES
NO PHYSICAL CONTACT.



No Touch Exit Sensor

K1-1/K1-2



Offering finger distance of up to 4 in., Model K1-1/K1-2 No Touch Request-to-Exit Sensor uses IR technology to open door or activate device with simple wave of hand. Suited for use in hospitals, clinics, labs, clean rooms, schools, factories, or offices, product features quick-connect screw-less terminal block and requires standard 12 Vdc power. It comes with ring illuminator that turns from green to red when sensor is activated.

SPECIFICATIONS

- No touch / Touch free Exit Sensor (Diffused Detection)
- Optical / Infrared Technology
- IP-55 Ingress Protection / SUS 304 Stainless steel Plate
- User friendly (Healthy protection): Free from contagious diseases spread
- Detection range: 0.1 ~ 10 cm
- Application: Gate/Door/Exit/Automation control
- High capacity of relay dry contact (3A/AC120V,DC30V)
- Normally open/Normally close/Common relay output
- Twin led Indicators for sensor standby or approached:
 - (1) Sensor Standby: Blue led on
 - (2) Visitors whom approached to the sensor in 10 cm: Red led on



ISO 9001 : 2000

No Touch Exit Sensor

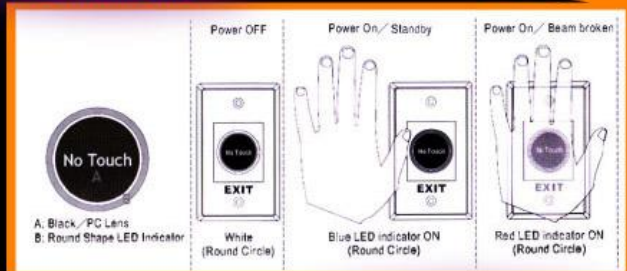
K1-1/K1-2



Specifications

Contact Rating :	3A/AC120V,DC30V
Input Volt :	DC12V
Simple and clear for operation.	
Operation temperature range :	-20 °C ~ 55 °C
Life :	500,000 Times
Durable stainless steel plate	
Dimension :	115x70x2.9(mm)
Weight :	85g

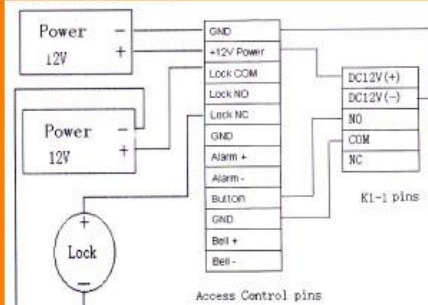
LED Indicator



Example



The cable of the connected with the no touch exit sensor, access control machine and electricalbolt



Powered By Century Mien Co.,Ltd.
ขอสงวนสิทธิ์ในการเปลี่ยนแปลงรายละเอียดทางเทคนิค Century Mien Co.,Ltd.